

3MP 33x IR Network PTZ Dome Camera

IPC6253SR-X33



Key Features

Optics

- 33x optical zoom
- Accurate and fast focusing
- Up to 120dB WDR (Wide Dynamic Range)
- Smart IR, up to 200m (656ft) IR distance
- IR anti-reflection window to increase the infrared transmittance

Compression

- Ultra 265, H.265, H.264, MJPEG
- Embedded smart algorithm
- Triple streams
- Customized OSD

Network

- ONVIF Conformance

Structure

- 15° Elevation Angle
- Innovative snow-removing functionality
- More effective heat dissipation system
- Intelligent temperature control technology
- 6KV surge protection designed for network interface

Specifications

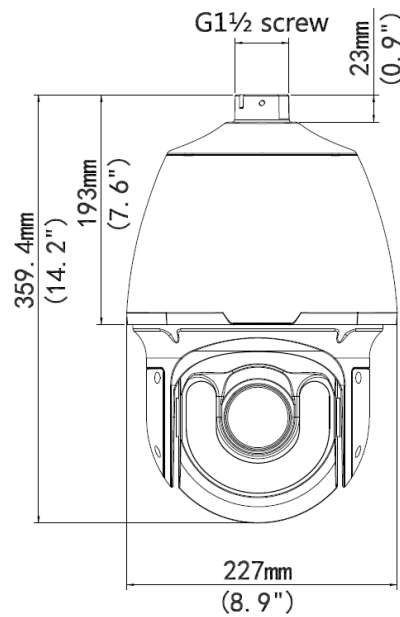
IPC6253SR-X33																
Camera																
Sensor	1/2.8", 3.0 megapixel, progressive scan, CMOS															
Lens	4.5 ~ 148.5mm, AF automatic focusing and motorized zoom lens															
Digital Zoom	16															
Optical Zoom	33															
DORI Distance	<table border="1"> <thead> <tr> <th>Lens (mm)</th> <th>Detect (m)</th> <th>Observe (m)</th> <th>Recognize (m)</th> <th>Identify (m)</th> </tr> </thead> <tbody> <tr> <td>4.5</td> <td>63.1</td> <td>25.2</td> <td>12.6</td> <td>6.3</td> </tr> <tr> <td>148.5</td> <td>2081.8</td> <td>832.7</td> <td>416.4</td> <td>208.2</td> </tr> </tbody> </table>	Lens (mm)	Detect (m)	Observe (m)	Recognize (m)	Identify (m)	4.5	63.1	25.2	12.6	6.3	148.5	2081.8	832.7	416.4	208.2
	Lens (mm)	Detect (m)	Observe (m)	Recognize (m)	Identify (m)											
	4.5	63.1	25.2	12.6	6.3											
148.5	2081.8	832.7	416.4	208.2												
Angle of View (H)	58.7° ~ 2.9°															
Angle of View (V)	57.4° ~ 1.9°															
Angle of View (O)	72.2° ~ 3.4°															
Shutter	Auto/Manual; shutter time: 1 ~ 1/100000s															
Minimum Illumination	Colour: 0.003Lux (F1.6,AGC ON) 0Lux with IR															
Iris	Auto/Manual; F1.6 ~ F5.3															
Day/Night	IR-cut filter with auto switch (ICR)															
Digital noise reduction	2D/3D DNR															
S/N	>55dB															
IR Range	UP to 200m (656ft)															
Defog	Digital Defog															
WDR	120dB															
Video																
Video Compression	Ultra 265, H.265, H.264, MJPEG															
H.264 code profile	Baseline profile, Main Profile, High Profile															
Frame Rate	Main Stream: 3MP (2048*1536), Max 30fps; 1080P (1920*1080), Max 60fps; Sub Stream: 2MP (1920*1080), Max 60fps; Third Stream: D1 (720*576), Max 60fps															
HLC	Supported															
BLC	Supported															
EIS	Supported															
OSD	Up to 8 OSDs															

Privacy Mask	Up to 24 areas
ROI	Up to 8 areas
Motion Detection	Up to 4 areas
Smart	
Behavior Detection	Intrusion, cross line, motion detection, Auto tracking
Intrusion	Enter and loiter in a pre-defined virtual region
cross line	Cross a pre-defined virtual line
motion detection	Moving within a pre-defined virtual region
auto tracking	Tracking the specified target
Recognition	Face detection, Audio detection
Intelligent Identification	Object Left, Object Moving
Statistical Analysis	People counting
General Function	Watermark, IP Address Filtering, Tampering Alarm, Alarm input, Alarm output, Access Policy, ARP Protection, RTSP Authentication, User Authentication
Audio	
Audio Compression	G.711
Two-way audio	Supported
Suppression	Supported
Sampling Rate	8KHZ
Storage	
Edge Storage	Micro SD, up to 256GB
Network Storage	ANR
Network	
Protocols	IPv4, IGMP, ICMP, ARP, TCP, UDP, DHCP, PPPoE, RTP, RTSP, RTCP, DNS, DDNS, NTP, FTP, UPnP, HTTP, HTTPS, SMTP, 802.1x, SNMP, QoS
Compatible Integration	ONVIF (Profile S, Profile G, Profile T), API
Pan & Tilt	
Pan Range	360° (endless)
Pan Speed	0.1°/s ~ 240°/s
	Preset speed: 300°/s
Tilt Range	-15° ~ 90° (auto reverse)
Tilt Speed	0.1° ~ 160°/s
	Preset speed: 240°/s
Number of Presets	1024
Patrol	Preset patrol, route patrol, recorded patrol
Home Position	Supported
Interface	
Audio I/O	Audio cable
	Input: impedance 35kΩ; amplitude 2V [p-p]
	Output: impedance 600Ω; amplitude 2V [p-p]
Alarm I/O	2/1
Serial Port	1 RS485
Network	1 RJ45 10M/100M Base-TX Ethernet
Video Output	1 BNC, impedance 75Ω; amplitude 1V [p-p]

General

Power	AC 24V (Default)±25%, DC 24V±25%
	Power consumption: 11 ~ 47W
Dimensions (∅ x H)	∅227 x 359.4mm (∅8.9" x 14.2")
Weight	5.5kg (12.1lb)
Working Environment	-40°C ~ 70°C (-40°F ~ 158°F), Humidity: ≤95% RH (non-condensing)
Ingress Protection	IP66
Reset Button	Supported

Dimensions


Zhejiang Uniview Technologies Co., Ltd.

Building No.10, Wanlun Science Park, Jiangling Road 88, Binjiang District, Hangzhou, Zhejiang, China (310051)

Email: overseasbusiness@uniview.com; globalsupport@uniview.com

<http://www.uniview.com>

©2019 Zhejiang Uniview Technologies Co., Ltd. All rights reserved.

*Product specifications and availability are subject to change without notice.